

Vegetable Slicer Cutter Slicer - 4.5 QT - Variable Speed

ITEM # _____

MODEL # _____

NAME # _____

SIS # _____

AIA # _____



600518 (K45YVVU)

Vertical Cutter/Mixer, bench-style, variable speed (300-3700 RPM). Supplied with 4.7 qt removable stainless steel bowl with clear BPA-free lid, equipped with scraper. Microtooth blade rotor and metal motor housing, 1-1/4 HP

Short Form Specification

Item No. _____

Vertical Cutter/Mixer, bench-style, variable speed (300 - 2700 RPM). Supplied with 4.7 qt removable stainless steel bowl with clear BPA-free lid, equipped with scraper. Microtooth blade rotor and metal motor housing, 1-1/4 HP

Main Features

- Emulsifier function (scraper) included as standard.
- All parts in contact with food are removable without the use of tools, completely dismountable and dishwasher safe.
- Pulse function to coarse chopping.
- Base fixed cover for a better handling.
- Capacity: cutter mixer working capacity from 1/3 ounce (100 g) to 4.4 lbs (2 kg), for 50-80 meals per service.

Construction

- Asynchronous industrial motor with no brushes for high reliability and quiet functioning, stainless steel motor shaft.
- All blades (available on request) are made in stainless steel and dishwasher safe.
- Power: TRK45 - 1.3 HP.
- Stainless steel bowl has a high chimney to ensure high productivity also when processing liquids (75% of the nominal capacity).
- IPX5 (IP55) flat panel touch-control, watertight panel.
- Compact and portable design.
- Improved ventilation system to manage smoothly heavy duty use.
- Reinforced feet to withstand the repeated handling of the unit.
- Food processing at 10 variable speeds: 300-3700 rpm.

Included Accessories

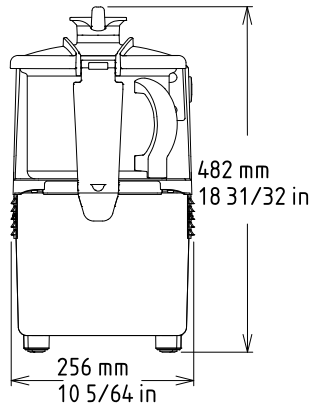
- 1 of Lid & bowl scraper, 4.7 quart, PNC 650099 for cutter/mixer
- 1 of Bowl, 4.7 quart, for cutter/ PNC 653589 mixer, stainless steel

Optional Accessories

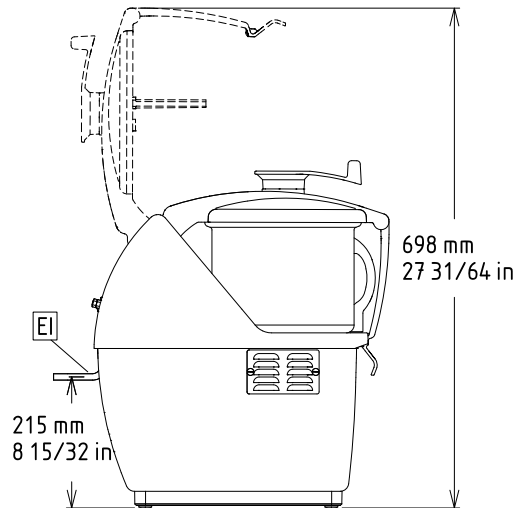
- Lid & bowl scraper, 4.7 quart, for PNC 650099 cutter/mixer
- Bowl, 4.7 quart, for cutter/mixer, PNC 653589 stainless steel

APPROVAL: _____

Front

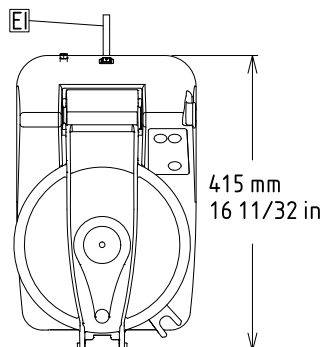


Side



EI = Electrical connection

Top


Electric

| | |
|-----------------|-----------------------|
| Supply voltage: | 110-120 V/1N ph/60 Hz |
| Total Watts: | 1 kW |
| Plug type: | USA NEMA 5-15P |

Key Information:

| | |
|------------------------------|--------------------|
| External dimensions, Width: | 10 1/16" (256 mm) |
| External dimensions, Depth: | 16 5/16" (415 mm) |
| External dimensions, Height: | 19" (482 mm) |
| Shipping width: | 11 13/16" (300 mm) |
| Shipping depth: | 23 5/8" (600 mm) |
| Shipping height: | 21 5/8" (550 mm) |
| Shipping weight: | 59 lbs (26.8 kg) |